

# 1 Micron CW Fiber Laser

## AP-YCW

### Features:

- High efficiency ytterbium fiber laser
- Stable power output with good beam quality
- 19-inch industrial design, easy to integrate
- Customized output fiber core diameter to meet different needs
- Anti-back reflection design



### Applications:

- High-reflectance material processing
- Precision laser cutting and welding
- Metal sintering

### Optical Characteristics:

Parameter	AP-YCW-1000	AP-YCW-2000	AP-YCW-6000
Output power	1000 W	2000 W	6000 W
Operating wavelength	1070±10 nm	1070±10 nm	1070±10 nm
Operation mode	CW / Pulsed	CW / Pulsed	CW / Pulsed
Power adjusting	1-100%	1-100%	1-100%
Power stability	< 3%	< 3%	< 3%
Beam quality (M <sup>2</sup> typical)	1.3	1.6	5
BPP typical	0.45	0.55	1.72
Divergence half-angle (NA, typ.)	0.045	0.044	0.069
Maximum modulation frequency	50 kHz	50 kHz	50 kHz
Indicator light	650 nm	650 nm	650 nm
Response time	< 5 μs	< 5 μs	< 5 μs
Output termination	QBH	QBH	QBH
Delivery fiber core diameter	20 μm	25 μm	50 μm
Cable length	15± 0.5 m	15± 0.5 m	15± 0.5 m

(For special requirement, please contact AdValue Photonics for options.)

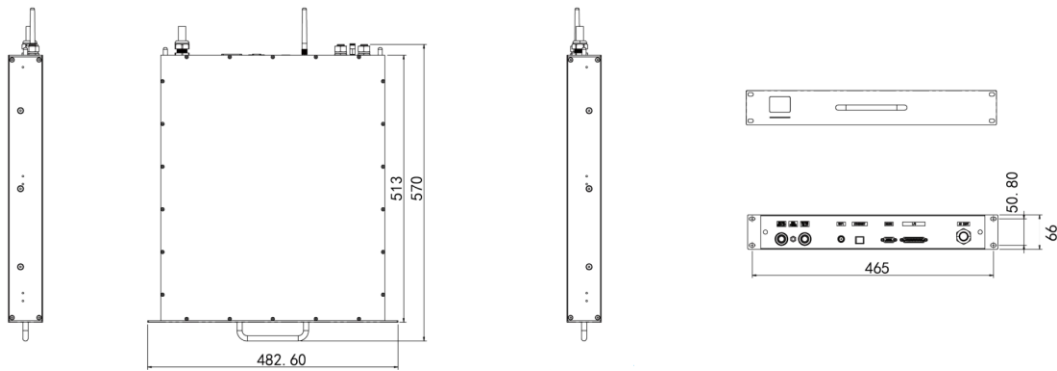
Specifications subject to change without notice

## General Characteristics:

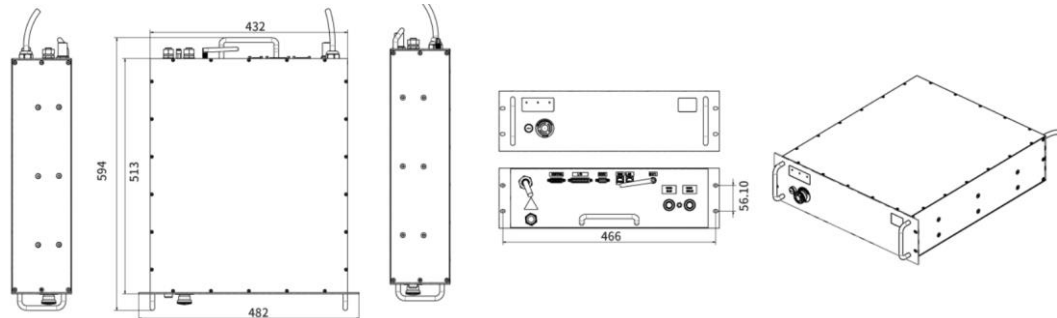
Parameter	AP-YCW-1000	AP-YCW-2000	AP-YCW-6000
Operating temperature	5 to 45 °C	5 to 45 °C	5 to 45 °C
Operating Humidity	≤ 95%	≤ 95%	≤ 95%
Cooling	Water-cooled (25±1 °C)	Water-cooled (25±1 °C)	Water-cooled (25±1 °C)
Power consumption	< 2.5 kW	< 4.8 kW	< 16 kW
Dimensions	513 x 482 x 66 mm	513 x 482 x 132 mm	667 x 432 x 131 mm
Weight	< 20 kg	< 40 kg	< 58 kg

## Mechanical Outline (Unit: mm):

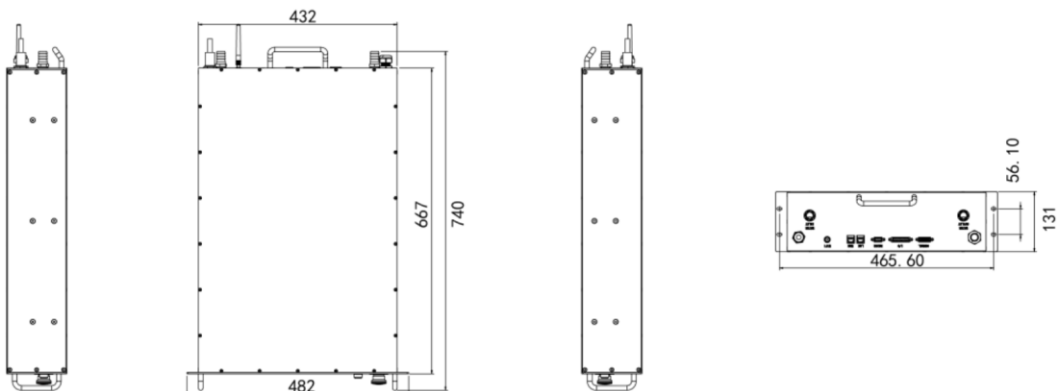
AP-YCW-1000



AP-YCW-2000



AP-YCW-6000



Specifications subject to change without notice